

EQuIP7 Fact Sheet

WHAT IS RECOGNITION ACHIEVEMENT?

The Recognition Achievement is intended for those Facilities who have commenced their quality improvement journey but may not be able to meet the evaluation requirements of the MA (Marked Achievement) elements needed to achieve Accreditation. Recognition Achievement can only be sought through the Advanced Notice Approach.

Achievement Requirements

To achieve Recognition, a Facility must receive a Met rating for all LA (Little Achievement) and SA (Some Achievement) elements

Duration Limit

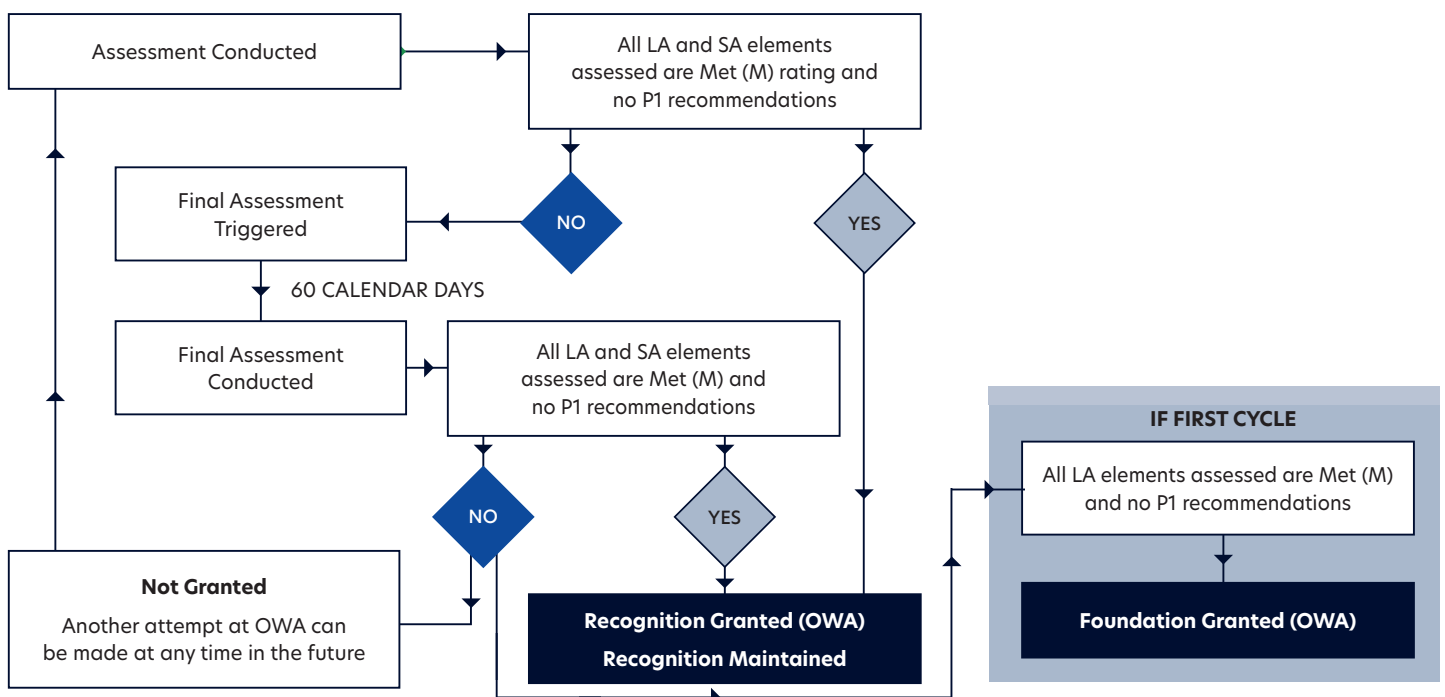
A Facility is only permitted a Recognition Achievement for a maximum of one (1) Cycle. If a Facility cannot obtain a more advanced Achievement after one (1) Cycle (such as Accreditation) then the Achievement will not be granted. Once a Facility achieves Recognition, a Foundation Achievement is not permissible in the future.

Final Assessment

During a Recognition Cycle, a Final Assessment will be triggered after an OWA (Organisation Wide Assessment) if any of the following apply:

- Any LA or SA element is rated NM (Not Met) or MR (Met with Recommendations)
- P1 (Priority 1) recommendation received

The scope of the Final Assessment will include any LA or SA element rated NM or MR and all Priority 1 recommendations. If the requirements cannot be met after a Final Assessment, then Recognition will not be granted and the Facility can attempt another OWA at any time in the future.



For further information, please refer to EQuIP7 Scheme Guide. If you have any questions on how this impacts your organisation, please contact the ACHS International team at info@achsi.org